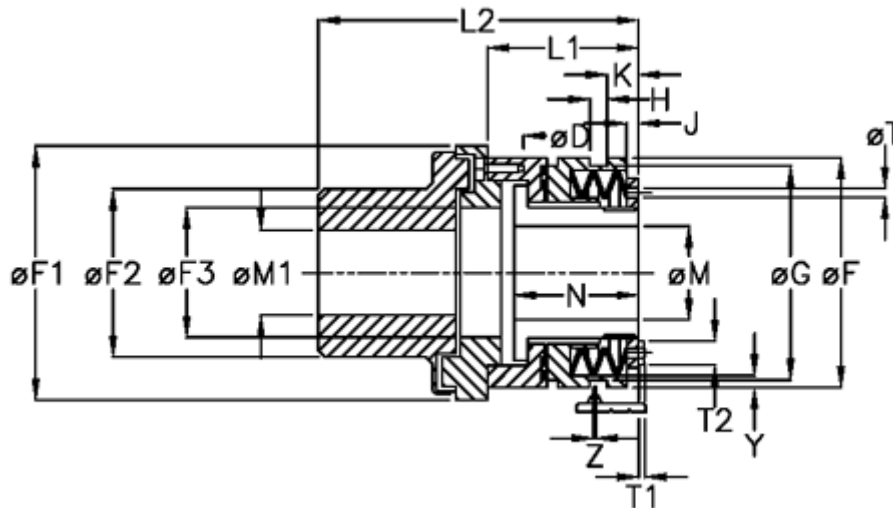


Article number: 46935543

Description: Torque limiter Synchron D 55 L

## Measures



D	= 6xM10	H	= 9	T1	= 6.0
Disc spring mounting	= 5x1L	J	= 11.0	T2	= 13
Disc spring version	= L - heavy	K	= 27.0	Y	= 2
F	= 146	L1	= 100.0	Z	= 0.0
F1	= 148	L2	= 207.0		
F2	= 90	M1 max	= 60		
F3	= 70	M max	= 55		
G	= 140.0	M min	= 24		